



Cat® CS533E

VIBRATORY SOIL COMPACTOR

FEATURES:

- **Engine** – Cat® 3054C turbocharged electronic diesel engine delivers 97 kW (130 hp) and is built for performance and reliability without sacrificing fuel economy.
- **Vibratory System** – Pod-style eccentric weights ensure peak compaction performance and minimal service. High dynamic force helps achieve density in the fewest number of passes.
- **Gradeability and Machine Control** – The exclusive dual pump propel system provides a separate balanced hydraulic flow to both the rear drive axle and the front drum drive motor. This unique dual pump propel system provides good grade climbing, machine control and tractive power. Dual pumps also minimize drum and wheel spin-out in low traction conditions. High working speeds increase productivity.
- **Versatility** – Standard dual amplitude expands the compactor's application range. The large spread between high and low centrifugal force makes it easier to tailor the compactive effort to density specifications.
- **Padfoot Shell Kit** – The optional padfoot shell kit makes the CS533E an extremely adaptable machine when compacting cohesive or semi-cohesive materials.
- **Operator's Station** – The new CS533E Soil Compactor features excellent operator comfort and visibility. A propel lever wrist rest, grouped control gauges and conveniently located control switches enhance operator productivity and reduce fatigue. Four heavy-duty isolation mounts provide a smooth ride. Standard rearview mirrors, two front-facing and two rear-facing working lights are provided. Machines with the open ROPS/FOPS platform are surrounded by handrails and features angled foot rests for sure footing when working on a grade.
- **Visibility** – The sloped hood design provides exceptional operator visibility to the outside edge of the rear tires and to the rear of the machine.
- **Serviceability** – The fiberglass hood tilts forward to allow access to the engine and daily maintenance points. Daily check points are accessible from ground level. The rear mounted cooling system features a hydraulic oil cooler that tilts down for easier access for cleaning. The operator's platform tilts forward to provide convenient access to the hydraulic components. Vibratory bearing lube service interval of 3 year/3000 hour keeps maintenance to a minimum and maximizes production. The engine lubrication change interval is 500 hours. The articulation hitch area features sealed-for-life bearings that effectively eliminate the need for maintenance.

Specifications

Engine

Engine Model	Cat® 3054C Turbocharged Diesel Engine
Ratings at 2200 rpm	
Gross power	97 kW (130 hp)
Net power	
EEC 80/1269	93 kW (125 hp)
ISO 9249	93 kW (125 hp)
Bore	105 mm
Stroke	127 mm
Displacement	4.4 L

- Four-stroke, four cylinder Cat 3054C turbocharged diesel engine. Meets EU directive 97/68/EC Stage II emission requirements.
- Net power advertised is the power available at the flywheel when the engine is equipped with fan, air cleaner, muffler and alternator. No derating required up to 2500 m altitude.
- Dual-element, dry-type air cleaner with visual restriction indicator, glow plug starting aid and fuel/water separator are standard.

Transmission

Speeds (forward and reverse)	
Low Range	8.0 km/h
High Range	12.0 km/h

Steering

Minimum turning radius:	
Inside	3680 mm
Outside	5810 mm
Steering angle (each direction)	± 34°
Oscillation angle (each direction)	± 15°

Service Refill Capacities

Fuel tank	180 L
Full fuel capacity	200 L
Cooling system	19 L
Engine oil with filter	9 L
Eccentric weight housings	26 L
Axle and final drives	18 L
Hydraulic tank	60 L
Filtration system (pressure type)	
Propel	15 micron absolute
Vibratory	15 micron absolute



CS533E Vibratory Soil Compactor

Vibratory System

Drum width	2134 mm
Drum shell thickness	25 mm
Drum diameter	1534 mm
Eccentric weight drive	Hydrostatic
Frequency	
high/low amplitude	31/34 Hz
Nominal Amplitude	
high/low amplitude	1.8/0.85 mm
Centrifugal Force	
maximum/minimum	234/133 kN

Sound

- **Operator Sound.** The operator sound level measured according to the procedures specified in ISO 6394 is 77 dB(A), for cab offered by Caterpillar, when properly installed and maintained and tested with the doors and windows closed.
- **Exterior Sound.** The labeled spectator sound power level measured according to the test procedures and conditions specified in 2000/14/EC is 111 dB(A).

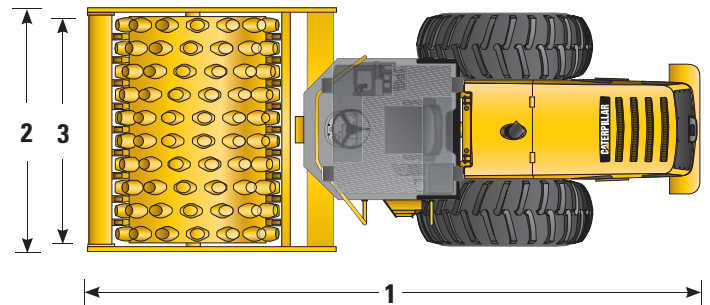
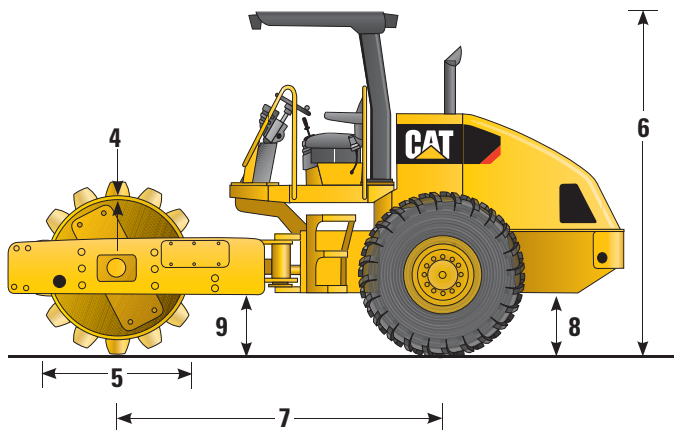
Operating Weights

	CS533E*	CS533E** Heavy Weight
Open platform	10 270 kg	11 760 kg
ROPS/FOPS canopy	10 480 kg	12 000 kg
ROPS/FOPS cab	10 840 kg	12 360 kg
Weight at Drum		
Open platform	5510 kg	6780 kg
ROPS/FOPS canopy	5570 kg	6840 kg
ROPS/FOPS cab	5760 kg	7030 kg
Static Linear Load (kg/cm)		
Open platform	25.8 kg	31.8 kg
ROPS/FOPS canopy	26.1 kg	32.0 kg
ROPS/FOPS cab	27.0 kg	33.0 kg

- Weights shown are approximate and include lubricants, coolant, full fuel and hydraulic tanks and a 80 kg operator.

* Meets NFP 98736 class: VM2

** Meets NFP 98736 class: VM3



Dimensions (All dimensions are approximate.)

1 Overall length	5510 mm	6 Height at ROPS/FOPS canopy	3060 mm
2 Overall width	2290 mm	Height at ROPS/FOPS cab	3070 mm
with Heavy Weight option	2360 mm	7 Wheelbase	2900 mm
3 Drum width	2134 mm	8 Ground clearance	543 mm
4 Drum shell thickness	25 mm	9 Curb clearance	521 mm
5 Drum diameter	1534 mm	Inside turning radius	3680 mm
		Outside turning radius	5810 mm

For more complete information on Cat products, dealer services, and industry solutions, visit us on the web at www.cat.com

AEHQ6195 (01-11)

© 2011 Caterpillar
All Rights Reserved
Printed in U.S.A.

Materials and specifications are subject to change without notice. Featured machines in photos may include additional equipment. See your Cat dealer for available options.

CAT, CATERPILLAR, SAFETY.CAT.COM, their respective logos, "Caterpillar Yellow" and the "Power Edge" trade dress, as well as corporate and product identity used herein, are trademarks of Caterpillar and may not be used without permission.

