

# AD55

## Underground Dump Truck



### Engine

Engine Model	Cat <sup>®</sup> C18 DITA ATAAC	
Gross Power	485 kW	650 hp

### Operating Specifications

Maximum Gross	47 000 kg	103,617 lb
Operating Weight		
Nominal Payload Capacity	55 000 kg	121,254 lb

### Body Capacities

Dump Body - Standard	26.9 m <sup>3</sup>	35.2 yd <sup>3</sup>
• Heaped SAE 2:1		

## Engine

Engine Model	Cat C18 DITA ATAAC	
Gross Power	485 kW	650 hp
Flywheel Power	485 kW	650 hp
Gross Power SAE	492 kW	657 hp
Gross Power ISO	485 kW	650 hp
Gross Power EEC	485 kW	650 hp
Bore	145 mm	5.7 in
Stroke	183 mm	7.2 in
Displacement	18.1 L	1,104.5 in <sup>3</sup>
Engine RPM	2000 RPM	

## Operating Specifications

Maximum Gross Operating Weight	47 000 kg	103,617 lb
Nominal Payload Capacity	55 000 kg	121,254 lb

## Weights

Empty	47 000 kg	103,617 lb
Front Axle	31 300 kg	69,004 lb
Rear Axle	15 700 kg	34,612 lb
Loaded	102 000 kg	226,871 lb
Front Axle	48 202 kg	106,267 lb
Rear Axle	53 798 kg	11,860 lb

## Weight Distribution

Empty	-	
Front Axle	67 %	
Rear Axle	33 %	
Loaded	-	
Front Axle	48 %	
Rear Axle	52 %	

## Transmission

Forward 1	8.2 kph	5.1 mph
Forward 2	11.1 kph	6.9 mph
Forward 3	15.1 kph	9.4 mph
Forward 4	20.3 kph	12.6 mph
Forward 5	27.5 kph	17.1 mph
Forward 6	37.2 kph	23.1 mph
Forward 7	50.4 kph	31.3 mph
Reverse 1	7.9 kph	4.9 mph
Reverse 2	10.8 kph	6.7 mph

## Body Hoist

Raise	11 Seconds	
Lower	4 Seconds	
Total Cycle Time	15 Seconds	

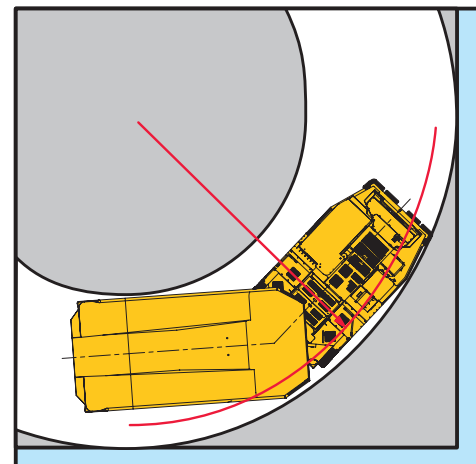
## Body Capacities

Dump Body - Standard	26.9 m <sup>3</sup>	35.2 yd <sup>3</sup>
Dump Body - Optional	36.6 m <sup>3</sup>	47.9 yd <sup>3</sup>
Dump Body - Optional	33.8 m <sup>3</sup>	44.2 yd <sup>3</sup>
Dump Body - Optional	36.6 m <sup>3</sup>	47.9 yd <sup>3</sup>

- Heaped SAE 2:1

## Turning Dimensions

Outside Turning Radius	9885 mm	389.2 in
Frame Oscillation	10°	
Articulation Angle	42.5°	



## Tires

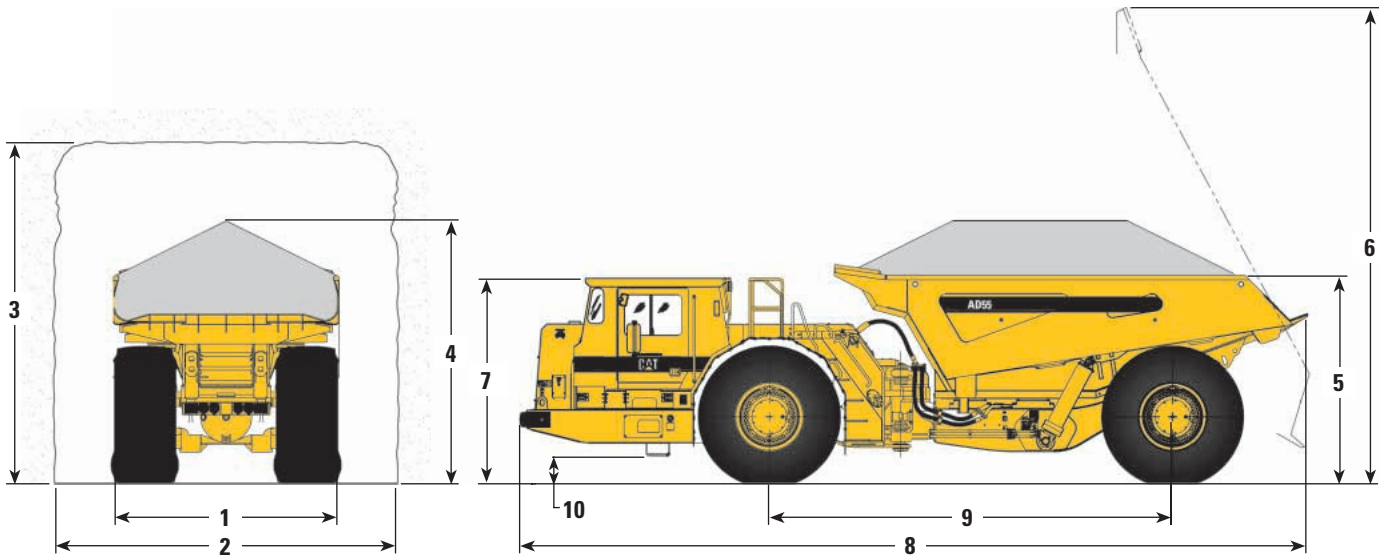
Tire Size	35 X 65 R33
-----------	-------------

## Standards

Brakes	ISO3450, AS2958.1, CAN-CSA424.30-M90
Cab/FOPS	ISO3449, SAEJ231, AS2294.3, EN13627
Cab/ROPS	ISO3471, SAEJ1040, AS2294.2, EN13510

# Dimensions

All dimensions are approximate.



<b>1</b>	Overall Width	3346 mm	131.7 in
<b>2</b>	Drive Height Clearance	5000 mm	196.9 in
<b>3</b>	Drive Width Clearance	5000 mm	196.9 in
<b>4</b>	Height to Top of Load (2:1)	3848 mm	151.5 in
<b>5</b>	Loading Height	3067 mm	120.8 in
<b>6</b>	Dump Height - Body Raised	6969 mm	274.4 in

<b>7</b>	Height to Top of ROPS	3000 mm	118.1 in
<b>8</b>	Overall Length	11 547 mm	454.6 in
<b>9</b>	Wheelbase	5900 mm	232.2 in
<b>10</b>	Ground Clearance	391 mm	15.4 in

# AD55 Underground Dump Truck

For more complete information on Cat products, dealer services, and industry solutions, visit us on the web at [www.CAT.com](http://www.CAT.com)

© 2004 Caterpillar  
All Rights Reserved  
Printed in U.S.A.

Materials and specifications are subject to change without notice.  
Featured machines in photos may include additional equipment.  
See your Caterpillar dealer for available options.

AEHQ5604 (11-04)

**CATERPILLAR**<sup>®</sup>