

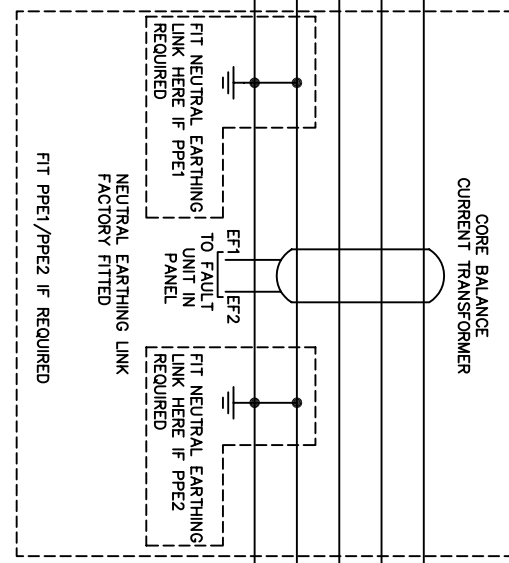
NOTE: IF 4 POLE BREAKER FITTED CHANGE N1 → N

FUSES LOCATED ON ALTERNATOR ON TERMINAL BOX

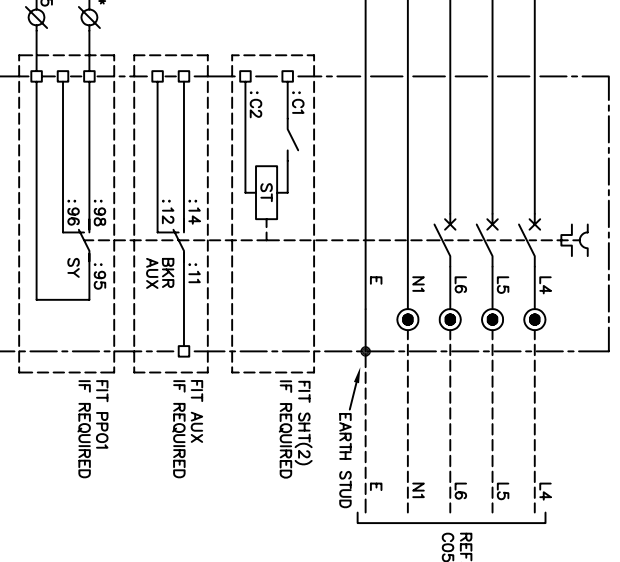
TO VOLTAGE SELECTOR SWITCH IN PANEL OR MICROPROCESSOR

TO AMMETER SELECTOR SWITCH OR MICROPROCESSOR IN PANEL

NOTE: WHEN ANY PANEL OTHER THAN THE ACCESS 4000 PANEL IS FITTED, CT WIRES C91 AND C92 SHOULD BE TIED BACK INTO THE AC LOOM AND THE S2 TERMINALS OF THE CTS SHOULD BE LINKED TOGETHER.



4 POLE BREAKER OPTIONAL (SEE NOTE REF:A01)



* - REFER TO TABLE 1 FOR WIRE NUMBER

NOTE: 6101 PANEL WIRE 25 CONNECTED TO :11 OF BREAKER AUX. WIRE 22 CONNECTED TO :14

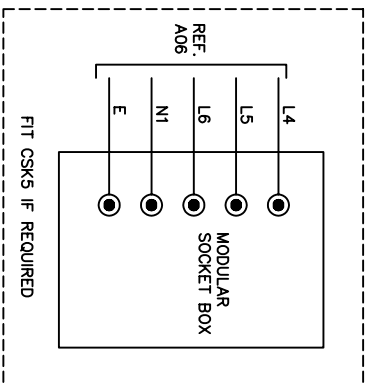


TABLE 1

PANEL TYPE	WIRE No.
2001	20
2101	20
4001	63
4101	63
4001E	63
4101E	63
ACCESS 4000	23
LEVEL 1.0	20/21
EMCP 3.1	20/21
LEVEL 2.0	20/21/22/23
EMCP 3.2	20/21/22/23

E	DRAWING UPDATED FOR INCLUSION OF COMMON CONTROL PANEL	24434	GSC	09/02/05
D	EARTH FAULT UNIT AMENDED	23597	L.M.	25/08/04
C	6101 WIRING NOTE ADDED	W0D8542	S.J.B.	11-02-04
B	OPTION CSK5 ADDED	21180	J.M.	27-01-03
A	FIRST ISSUE	-	-	-

ISSUE DESCRIPTION	EGR/DCR	BY	DATE
<input checked="" type="checkbox"/> CUSTOMER POWER CONNECTION	Ø	TERMINAL IN CONTROL PANEL	
<input checked="" type="checkbox"/> A.C. CONNECTOR FROM ALTERNATOR			
<input type="checkbox"/> BREAKER BOX TERMINAL			

THIS DRAWING IS COPYRIGHTED AND MAY BE COPIED ONLY FOR THE PURPOSES OF MAINTAINING THE PURCHASED EQUIPMENT BY THE PURCHASER

DRN. BY G. THOMPSON
 DATE 10/02/2005
 APPD. BY [Signature]
 DATE 10/02/2005
 TITLE AC SECTION (3P 4W, RowW) (OPTIONALISED)
 ORIGINAL SCALE N.T.S.
 DRAWING NO. D35222
 ISSUE E