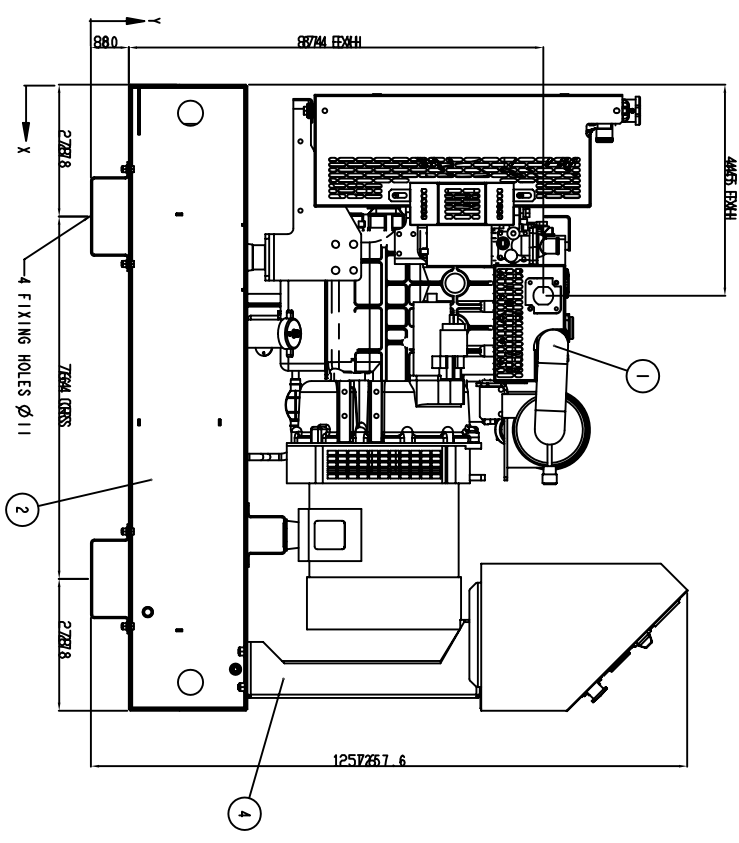
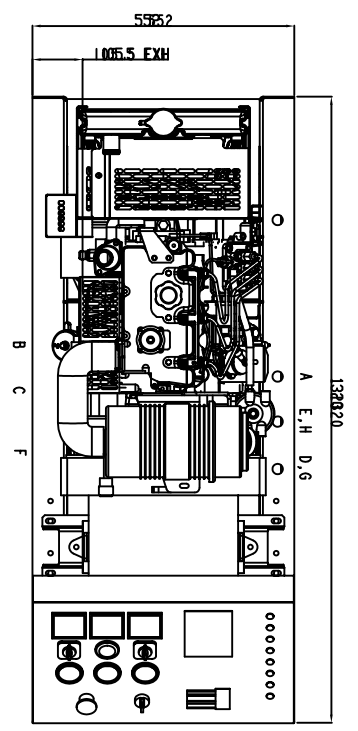
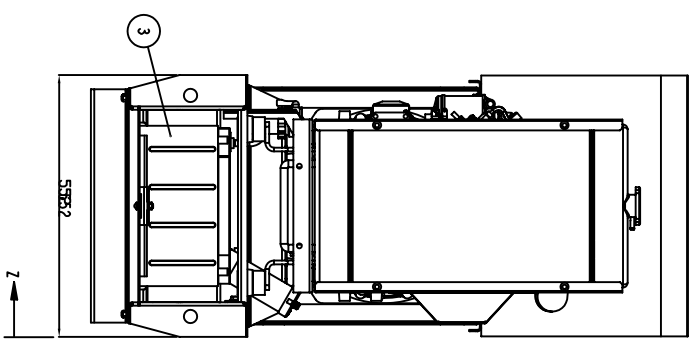


ENG / ALT	MASS (kg)	(WITH OIL & WATER)	X	Y
403C-15 / LL*1014H	396	402	640	618
403C-15 / LL*1012J	374	380	627	618

FUEL TANK CAPACITY - 45 LITRES

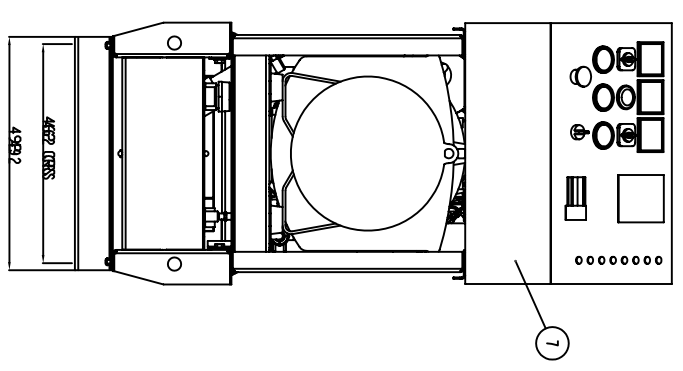
ITEM	DESCRIPTION	DIM X	DIM Y	DIM Z
A	LUBE OIL DRAIN (IF FITTED)	390	330	517
B	FUEL FILL	525	420	70
C	FUEL GAUGE	640	322	156
D	FUEL SUPPLY	785	301	410
E	FUEL RETURN	685	301	410
F	LOW FUEL LEVEL SWITCH (IF FITTED)	760	295	156
G	EXTERNAL FUEL TANK CONNECTION - SUPPLY I/48SP	785	380	517
H	EXTERNAL FUEL TANK CONNECTION - RETURN I/48SP	685	380	517
J	CABLE EXIT	1280	820	130

FOR INFORMATION ONLY



ITEM QTY	DESCRIPTION	DWG / PART NO.
1	ENG/ALT COMBINATION GROUP	MGSS289
2	BASEFRAME ASSEMBLY	MGSS111
3	BATTERY GROUP	MGSS122
4	PANEL STAND GROUP	MGSS120
5	FUEL LINE ARRANGEMENT	MGSS390
6	COUPLING GROUP	MGSS164
7	CONTROL PANEL (IF FITTED)	MGSS296
8	LVI - LUBE OIL DRAIN ASSY (IF FITTED)	MGSS441
9	CEC - GUARDS (IF FITTED)	MGSS472
10	DECAL ARRANGEMENT - UNIVERSAL LABELS	MGSS474
11a	DECAL ARRANGEMENT - BAW LABELS	MGSS476
11b	DECAL ARRANGEMENT - OLY LABELS	MGSS476

\* - ITEM NOT SHOWN



TOLERANCES EXCEPT WHERE OTHERWISE STATED:  
 50 - 250mm ± 0.1mm  
 OVER 250mm ± 0.2mm  
 STRUCTURAL ± 0.5mm  
 FINISHES AS PER DRAWING

THIS DRAWING IS COMPUTERIZED AND MAY BE CONSIDERED AN UNREVISED EQUIPMENT BY THE PURCHASER UNLESS OTHERWISE STATED.  
 ALL DIMENSIONS IN MILLIMETRES UNLESS OTHERWISE STATED.  
 DO NOT SCALE.

DRN. BY	G. KELLY	TITLE	PERKINS 403C-15 & LS 1000 SERIES COMPACT GENSET
DATE	28-Feb-03	SHEET	ORIGINAL
APPR. BY		SCALE	7:40
DATE		DRAWING NO./ISSUE	MG46289 B