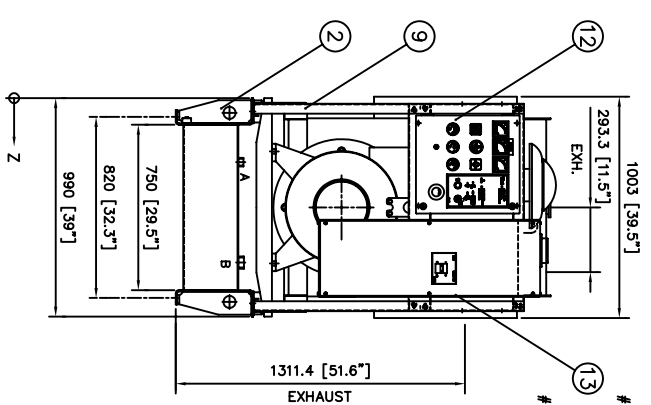
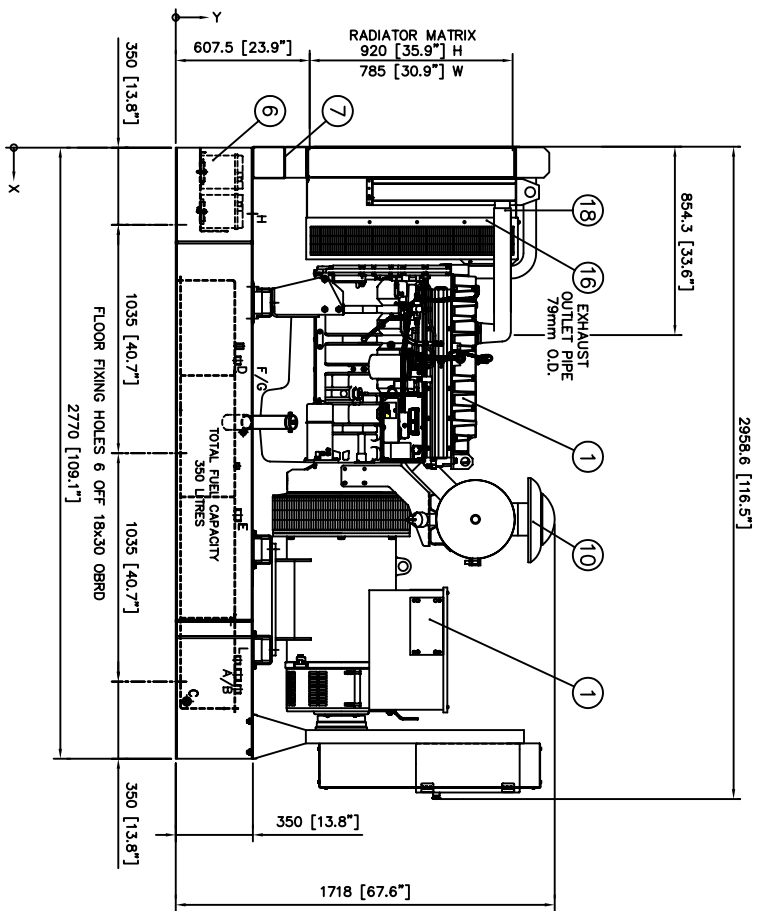


ITEM	DESCRIPTION	DIM' X	DIM' Y	DIM' Z
A	REMOTE FILL 1" BSP SOCKET	2445	270	290
B	REMOTE RETURN 1" BSP SOCKET	2390	270	745
C	FUEL DRAIN 1" BSP SOCKET	2510	50	114
D	LEVEL SWITCH 1" BSP SOCKET	965	270	735
E	FUEL GAUGE	1681	270	262
F	ENGINE BREATHER	1090	350	48
G	LUB OIL DRAIN 1/2" BSP	1090	306	943
H	RADIATOR DRAIN 1/4" BSP	300	350	33

GENSET	WEIGHT (Kg)	CENTRE OF GRAVITY
WITH OIL (WITH OIL & WATER)		
1306E7215/LL5014H	1865	1544
1306E7215/LL5014H	2025	1602
1306E7215/LL5014J	2090	1629
1306E871A300/LL5014F	1940	1524
1306E871A300/LL5014F	2015	1565
1306E871A300/LL5014J	2165	1608
1306E871A300/LL5014H	2100	1582
1306E871A330/LL5014J	2215	1603
1306E871A330/LL5014L	2335	1653



ITEM QTY.	DESCRIPTION	DWG /PART No.
1 1	ENGINE/ALTERNATOR COMBINATION	MSS3873
2 1	BASEFRAME GROUP	MSS2878
3 1	CHARGING ALTERNATOR GROUP	MSS2895
4 1	STARTER MOTOR GROUP	MSS3916
5 1	FUEL LINES/BREATHER GROUP	MSS2890
6 1	BATTERY GROUP	MSS2807
7 1	RADIATOR GROUP	MSS2819
8 1	COUPLING GROUP	MSS2858
9 1	PANEL STAND GROUP	MSS2884
10 1	AIR CLEANER GROUP	MSS2953
11 1	SENDERS & SENSORS GROUP	-
12 1	CONTROL PANEL(IF FITTED)	-
13 1	CIRCUIT BREAKER(IF FITTED)	-
14 1	LABEL GROUP - UNIVERSAL	MSS3055
BRAND LABEL GROUPS		
* 15a 1	FGW BRAND	MSS3062
* 15b 1	OLY BRAND	MSS3063
* 15c 1	ONA BRAND	MSS3064
1306E7215 ENGINE		
* 16a 1	FAN & PULLEY GUARDS GROUP	MSS2838
* 17a 1	EC HEAT SHIELD GUARDS	MSS2847
1306E7A300/330 ENGINE		
18b 1	FAN & PULLEY GUARDS GROUP	MSS2837
17b 1	EC HEAT SHIELD GUARDS	MSS2846
18b 1	CHARGE AIR PIPEWORK GROUP	MSS2820

* - ITEM NOT SHOWN.
- FGW & OLY PRODUCT ONLY

ISSUE	DESCRIPTION	REV/NO	BY	DATE
B	NEW RAD/ENG MOUNTING DETAIL & TITLE UPDATED.	20810C	LAM	25/07/02
A	FIRST ISSUE	20810C	-	-

<p>TOLERANCES EXCEPT WHERE OTHERWISE STATED</p> <p>0 - 50mm ± 0.15mm 50 - 100mm ± 0.25mm 100 - 200mm ± 0.30mm OVER 200mm ± 0.50mm HOLE DIA ± 0.05mm SHAFT DIA ± 0.05mm</p> <p>THIS DRAWING IS COMPUTERISED AND MAY BE CONSIDERED AS A PRELIMINARY DRAWING. THE DRAWING IS THE PROPERTY OF THE MANUFACTURER AND IS NOT TO BE REPRODUCED OR TRANSMITTED IN ANY FORM OR BY ANY MEANS, ELECTRONIC OR MECHANICAL, INCLUDING PHOTOCOPYING, RECORDING, OR BY ANY INFORMATION STORAGE AND RETRIEVAL SYSTEM, WITHOUT PERMISSION IN WRITING FROM THE MANUFACTURER.</p> <p>DO NOT SCALE</p>	<p>ORIN. BY: Y.C.TAN</p> <p>DATE: 30/09/99</p> <p>APPD. BY: [Signature]</p> <p>DATE: 04.09.2002</p>	<p>TITLE: G.A. OF COMPACT OPEN GENSET ON NON UL BASE WITH 1300 SERIES ENG & LL5000/5000 SERIES ALT.</p> <p>SHEET SIZE: A1</p> <p>ORIGINAL SCALE: 1:12.5</p> <p>DRAWING NO: MGA44598</p> <p>ISSUE: B</p>
---	---	---