

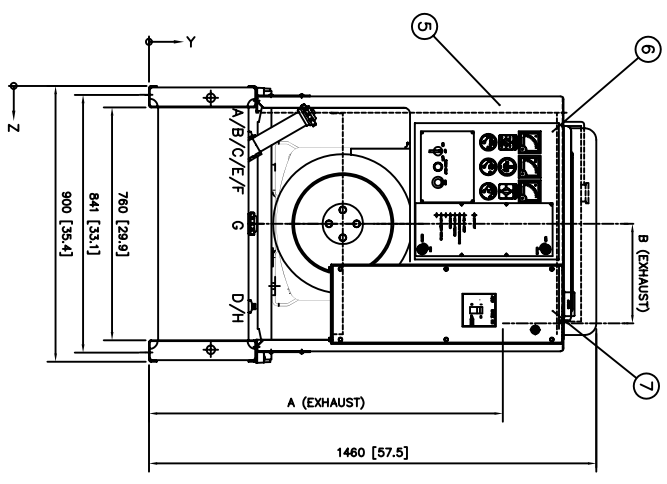
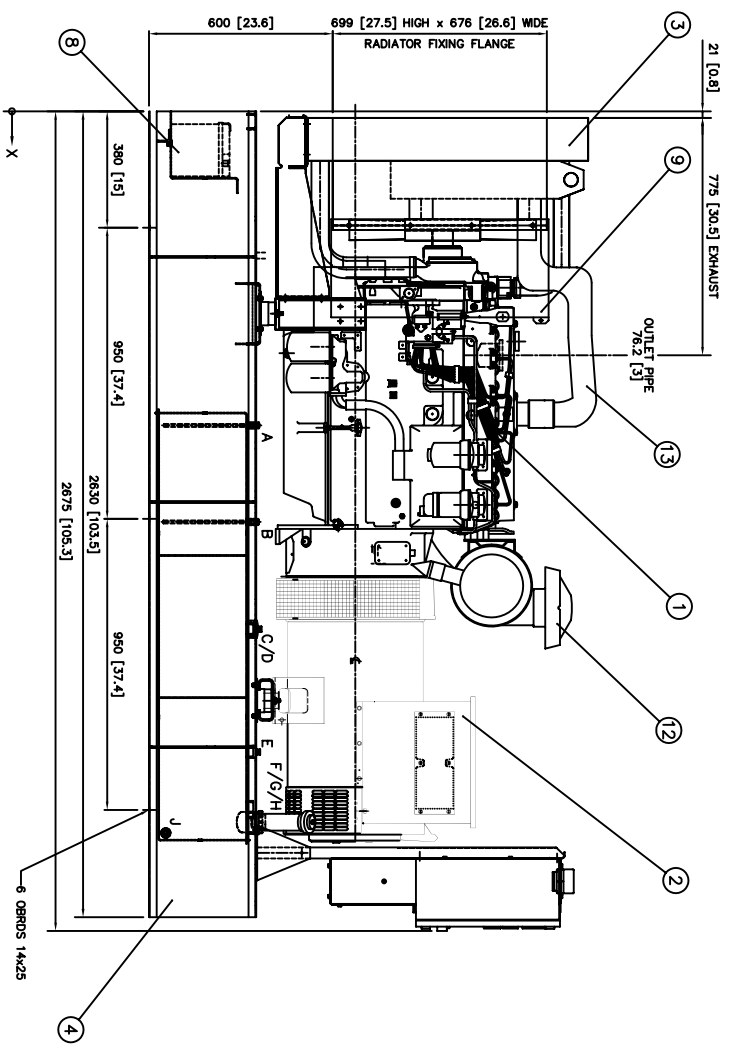
ITEM	DESCRIPTION	DIM X	DIM Y	DIM Z
A	3/8" BSP SOCKET	1025 [40.4]	320 [12.6]	171 [6.7]
B	3/8" BSP SOCKET	1340 [52.8]	320 [12.6]	171 [6.7]
C	1 1/2" BSP SOCKET	1695 [66.7]	320 [12.6]	171 [6.7]
D	1" BSP SOCKET	1695 [66.7]	320 [12.6]	730 [28.7]
E	1" BSP SOCKET	2090 [82.3]	320 [12.6]	171 [6.7]
F	1" BSP SOCKET	2270 [89.4]	320 [12.6]	730 [28.7]
G	2" BSP SOCKET	2330 [87.8]	320 [12.6]	219 [8.6]
H	1 1/2" BSP SOCKET	2330 [87.8]	320 [12.6]	451 [17.8]
J	3/4" BSP SOCKET	2355 [92.7]	55 [2.2]	67 [2.6]

TANKBASE FITTINGS

ENGINE	DIM A	DIM B
1006TAG	1155[45.5]	325[12.8]
1006-6TA	1155[45.5]	325[12.8]
1006TAG1	1149[45.2]	350[13.8]

ENGINE/ALTERNATOR	WEIGHT (kg)	C of G	
(WITH OIL) (OIL & WATER)		DIM X	DIM Y
1006.6TAG/LL3014F	1480	1350	618
1006.6TAG/LL3014H	1515	1380	618
1006-6TA/LL3014F	1480	1417	1350
1006-6TA/LL3014H	1515	1535	1380
1006.6TAG/LL3014H	1515	1535	1380

NOTE: WEIGHTS AND COG TO BE CONFIRMED



ITEM QTY.	DESCRIPTION	DWG./PART No.
1 1	ENGINE	MSS3873
2 1	ALTERNATOR	MSS3873
3 1	RADIATOR ASSY	MSS2768
4 1	TANKBASE - COMPACT	MSS5303
5 1	PANEL STAND ASSY. (IF FITTED)	MSS2449
6 1	CONTROL PANEL (IF FITTED)	-
7 1	CIRCUIT BREAKER (IF FITTED)	-
8 1	BATTERY TRAY ASSY	MSS2485
9 1	SPLIT FAN GUARD ASSY (OUTLINE SHOWN)	MSS2769
10 1	HEAT SHIELD GUARD	MSS2806
11 1	EXHAUST MANIFOLD GUARD (IF FITTED)	MSS2771
12 1	AIR FILTER FOR 1006TAG/TAG1/6TA	MSS2772
13 1	CHARGE AIR PIPEWORK	MSS2760
14 1	LVI - LUBE OIL DRAIN ASSY.	MSS2797
15 1	WI - COOLANT DRAIN ASSY.	MSS2798
16 1	DECAL ARR. - (Universal Labels)	MSS3055
17a 1	DECAL ARR. - (B & W Labels)	MSS3062
17b 1	DECAL ARR. - (OILY Labels)	MSS3063
17c 1	DECAL ARR. - (DNA Labels)	MSS3064

* - NOT SHOWN

ISSUE	DESCRIPTION	BY	DATE
1	ISSUE		

F	WORKSHEET NO.	DATE	BY
1	1006TAG/1006-6TA WITH LL3014F/H ALT	02/07/2004	JAN BARR

REV	DESCRIPTION	DATE	BY
1	ISSUE		

REV	DESCRIPTION	DATE	BY
1	ISSUE		

REV	DESCRIPTION	DATE	BY
1	ISSUE		