



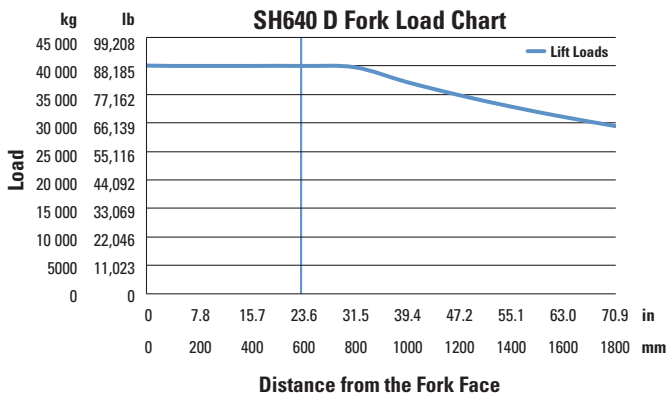
Cat[®] SH640 D

ROOF SUPPORT CARRIER

Specifications

Capacities

Tractive Effort, Maximum	28 000 kg	61,729 lb
Winch (Front)	20 000 kg	44,092 lb
Maximum Un-braked Trailer Mass	20 000 kg	44,092 lb
Capacity of Tow Hitch	40 000 kg	88,184 lb
Lift SAE @ 600 mm (23.6 in) from Fork Face	40 000 kg	88,184 lb



Weight

Unladen with Full Tanks	41 000 kg	90,390 lb
Maximum Laden	81 000 kg	178,574 lb

Engine (6 Cylinder)

Type	Diesel, Turbocharged	
Cooling System	Coolant Based Radiator	
Radiator Position	Vertical Rear	
Cooling Fan	Hydraulic Driven Fan	
Engine Make/Model	Cat [®] C7	
Displacement	7.2 L	439.3 in ³
Maximum Power Gross	171.5 kW (230 hp) @ 2,200 rpm	
Maximum Torque Tested	895 N·m (660 lb-ft) @ 1,700 rpm	

Engine Speeds

Low Idle	800 rpm
High Idle	2,300 rpm

Fuel Consumption

At Full Power	39.4 L/hr	10.4 gal/hr
Average Mine Duty	20-40 L/hr	5.3-10.5 gal/hr

Exhaust Conditioner

Type	Flameproof Wet
Make	Caterpillar
Exhaust Filter	Replaceable Element except China
Exhaust Flame Trap	Replaceable China and RSA
Aftertreatment	Catalytic Exhaust Purifier

Transmission

Speeds, Forward and Reverse	4
-----------------------------	---

Torque Converter

Type	Integral
------	----------

Axles

Front Axle	Heavy Duty Fixed
Rear Axle	Heavy Duty Trunnion Mount

Wheels/Tires – Standard

Size	1371 mm O/D × 559 mm Wide 55 in O/D × 22 in Wide	
Inflation Media	Solid	
Wheel Chains	Optional	

Ground Pressure

Laden Front	1330 kPa	192 psi
Laden Rear	500 kPa	72 psi
Un-laden Front	500 kPa	72 psi
Un-laden Rear	753 kPa	109 psi

SH640 D Roof Support Carrier

Service Brake

Type	Totally Enclosed, Wet Type
Application	Spring Applied Hydraulic Released

Park Brake

Type	Totally Enclosed, Wet Type
Application	Spring Applied Hydraulic Released

Articulation

Degrees of Turn Either Side	45 degree
-----------------------------	-----------

Oscillation

Degrees Up and Down from Horizontal	6 degree
-------------------------------------	----------

Canopy

Type Protective Device	MDG1
Optional ROPS/FOPS	

Electrical System

Type	Approved Flameproof
Voltage	24V

Shutdown System

System Type	Cat DCS Electronic Intrinsically Safe Approved
-------------	---------------------------------------------------

Lights

Number/Location	STD 2 Front, 2 Rear
-----------------	---------------------

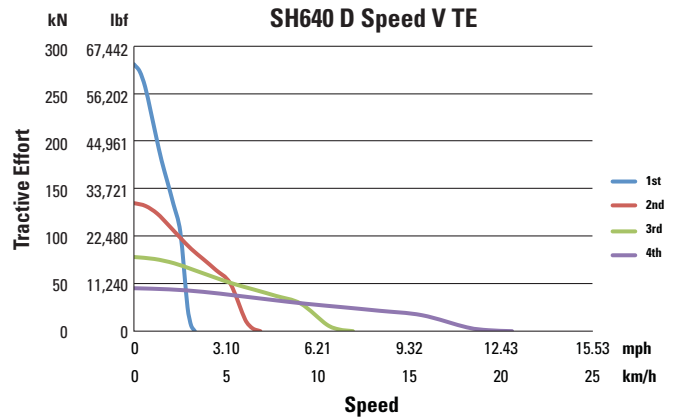
Service Capacities

Hydraulic Tank	450 L	118.9 gal
Fuel Tank	350 L	92.4 gal
Transmission/Converter Oil	40 L	10.6 gal
Drop Box Oil	8 L	2.1 gal
Engine Crankcase Oil	25 L	6.6 gal
Engine Cooling System Water	72 L	19.0 gal
Axle Oil (Each)	60 L	15.9 gal
Water Make Up Tank	450 L	118.9 gal
Main Air Receiver	150 L	5.3 ft ³

Rated Speed/Un-laden/No Grade

1st Gear	2.9 km/h	1.8 mph
2nd Gear	6.1 km/h	3.8 mph
3rd Gear	10.5 km/h	6.5 mph
4th Gear	18.1 km/h	11.3 mph

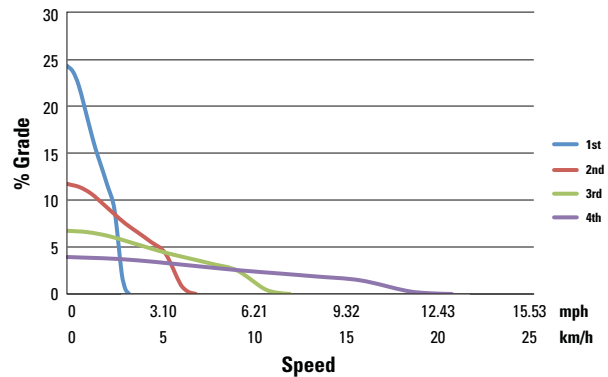
Maximum Tractive Effort



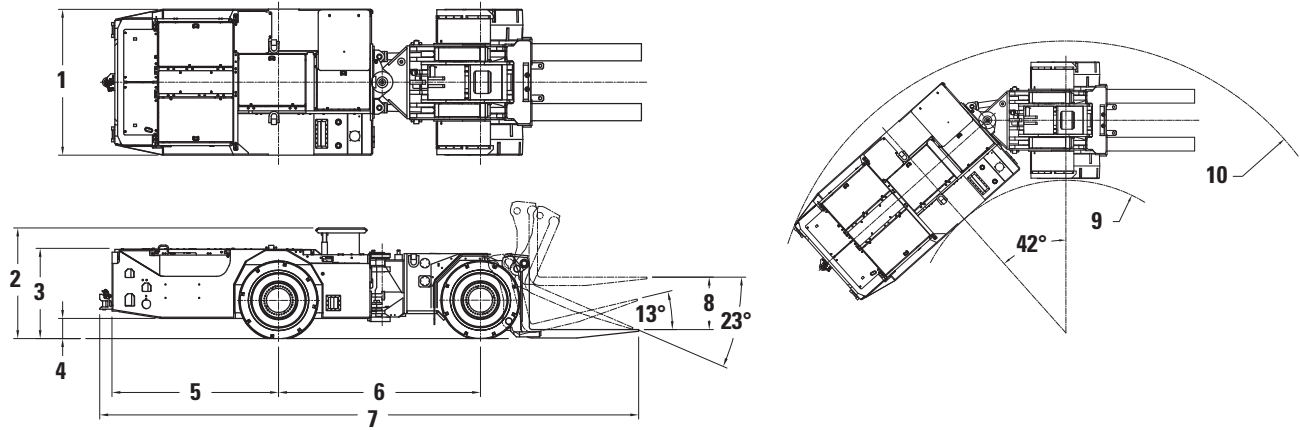
Grade Ability

Front to Rear	1:4
Side to Side (Empty)	1:4
Side to Side (Laden)	1:8

SH640 D Speed V Grade Loaded



SH640 D Roof Support Carrier



Dimensions (All dimensions are approximate.)

1 Width – Overall	2600 mm	102.4 in
2 Height – Top of ROPS		
LOW Mount	1840 mm	72.4 in
MID Mount	1900 mm	74.8 in
HIGH Mount	1960 mm	77.2 in
3 Height – Top of Covers	1610 mm	63.4 in
4 Height – Ground Clearance	360 mm	14.1 in
5 Length – Rear Axle to Bumper	2970 mm	116.9 in
6 Length – Wheel Base	3600 mm	141.1 in
7 Length – Overall	9610 mm	378.3 in
8 Lift Height of Fork	935 mm	36.8 in
9 Turning Radius – Inside Dimension	3400 mm	133.9 in
10 Turning Radius – Outside Dimension	6510 mm	256.3 in

SH640 D Roof Support Carrier

OPTIONAL EQUIPMENT

- Load indication gauge system
- Cat 3126 DTI flame proof package
- Fire suppression systems
- ROPS FOPS certified canopy
- Tow chains
- Wheel chains
- Alternative approved electrical components (lights, alternators, hour meters etc.)
- Exhaust flame trap (optional) wet, standard for China, standard for RSA
- Auto lubrication system
- Chock carry plate
- Power assist trailer connection and fixed fifth wheel plate
- 12V electrical system STD 3126 DTI

For more complete information on Cat products, dealer services, and industry solutions, visit us on the web at www.cat.com

AEHQ6793 (10-12)

© 2012 Caterpillar
All Rights Reserved
Printed in U.S.A.

Materials and specifications are subject to change without notice. Featured machines in photos may include additional equipment. See your Cat dealer for available options.

CAT, CATERPILLAR, SAFETY.CAT.COM, their respective logos, "Caterpillar Yellow" and the "Power Edge" trade dress, as well as corporate and product identity used herein, are trademarks of Caterpillar and may not be used without permission.

